

Smart String Inverter

SUN2000-45KTL-US-HV-D0



Smart

- 8 strings intelligent monitoring and fast trouble-shooting
- Power Line Communication (PLC) supported
- Smart I-V Curve Diagnosis supported

Efficient

- Max. efficiency 98.7%
- CEC. efficiency 98.5%
- 4 MPPT per unit, effectively reducing string mismatch

Safe

- DC AFCI compliant to UL 1699B Type I
- Residual Current Monitoring Unit (RCMU) integrated inside
- Fuse free design

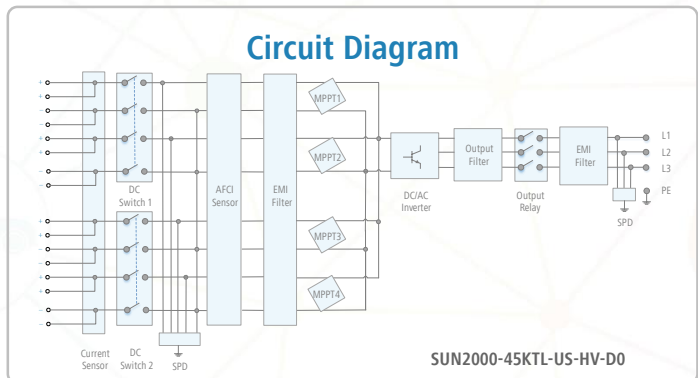
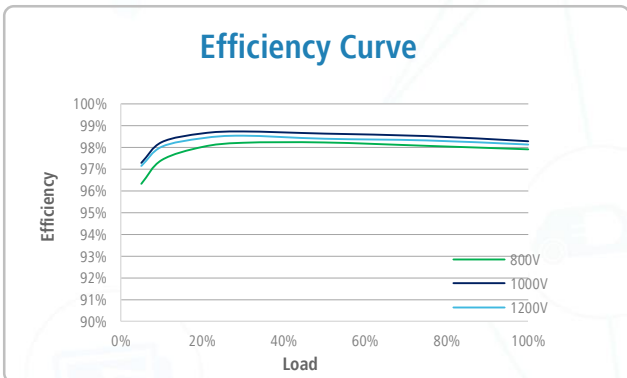
Reliable

- Natural cooling technology
- Protection degree of Type 4X
- Type II surge arresters for both DC and AC

Smart String Inverter (SUN2000-45KTL-US-HV-D0)



Technical Specifications	SUN2000-45KTL-US-HV-D0
	Efficiency
Max. Efficiency	98.7%
CEC. Efficiency	98.5%
	Input
Max. Input Voltage	1,500 V
Max. Current per MPPT	22 A
Max. Short Circuit Current per MPPT	30 A
Start Voltage	650 V
MPPT Operating Voltage Range	600 V ~ 1,450 V
Number of Inputs	8
Number of MPP Trackers	4
	Output
Rated AC Active Power	45,000 W
Max. AC Apparent Power	50,000 VA
Max. AC Active Power (cosφ=1)	50,000 W
Rated Output Voltage	600 V, 3W + PE
Rated AC Grid Frequency	60 Hz
Rated Output Current	43.3 A
Max. Output Current	48 A
Adjustable Power Factor Range	0.8 LG ... 0.8 LD
Max. Total Harmonic Distortion	< 3%
	Protection
DC Arc Fault Circuit Interrupter	Yes, compliant to UL 1699B Type I
Input-side Disconnection Device	Yes
Anti-islanding Protection	Yes
DC Reverse-polarity Protection	Yes
AC Overcurrent Protection	Yes
PV-array String Fault Monitoring	Yes
DC Surge Arrester	Type II
AC Surge Arrester	Type II
DC Insulation Resistance Detection	Yes
Residual Current Monitoring Unit	Yes
	Communication
Display	LED Indicators, Bluetooth + APP
USB	Yes
RS485	Yes
Power Line Communication (PLC)	Yes
	General
Dimensions (W x H x D)	930 x 600 x 270 mm (36.6 x 23.6 x 10.6 inch)
Weight (with mounting plate)	64 kg (141 lb.)
Operating Temperature Range	-25°C ~ 60°C (-13°F ~ 140°F)
Cooling Method	Natural Convection
Relative Humidity	0 ~ 100%
DC Connector	Amphenol Helios H4
AC Connector	Waterproof Cable Connector + OT Terminal
Protection Degree	Type 4X
Topology	Transformerless
	Standard Compliance (more available upon request)
Certificate	UL 1741, UL 1699B, UL 1741 SA, CSA C22.2 #107.1-01, FCC Part 15
Grid Code	IEEE 1547, IEEE 1547a



The text and figures reflect the current technical state at the time of printing. Subject to technical changes. Errors and omissions excepted. Huawei assumes no liability for mistakes or printing errors. For more information, please visit solar.huawei.com. Version No.:01-(2018)08