



**Higher Revenue**

Max. efficiency 98.6%



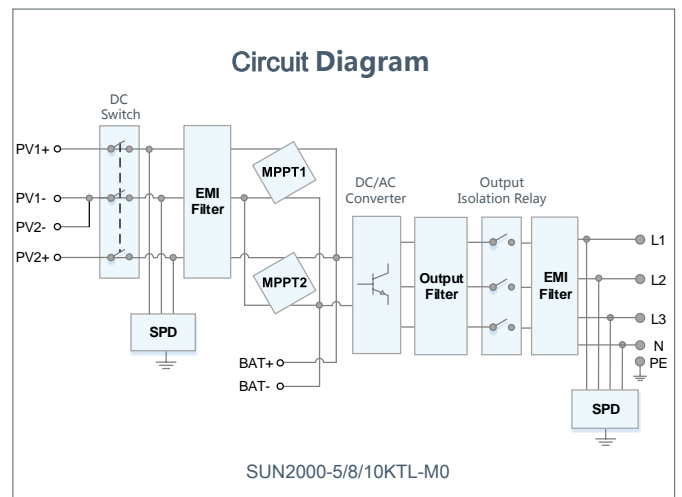
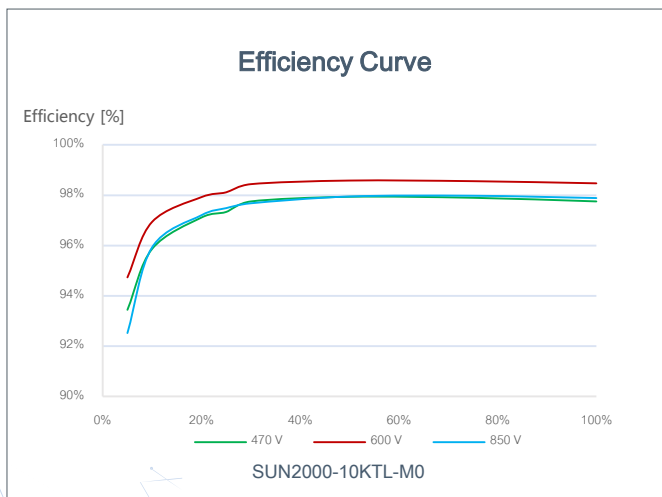
**Simple & Easy**

17 kg



**Safe & Reliable**

Arc fault protection



# SUN2000-5/8/10KTL-M0 Technical Specification

Technical Specification	SUN2000 -5KTL-M0	SUN2000 -8KTL-M0	SUN2000 -10KTL-M0
<b>Efficiency</b>			
Max. efficiency	98.4%	98.6%	98.6%
European weighted efficiency	97.5%	98.0%	98.1%
<b>Input</b>			
Max. input voltage	1,100 V		
Operating voltage range	140 V ~ 980 V		
Start-up voltage	200 V		
Full power MPPT voltage range	240 V ~ 850 V	380 V ~ 850 V	470 V ~ 850 V
Rated input voltage	600 V		
Max. input current per MPPT	11 A		
Max. short-circuit current	15 A		
Number of MPPT trackers	2		
Max. number of inputs	2		
<b>Output</b>			
Grid connection	Three-phase		
Rated output power	5,000 W	8,000 W	10,000 W
Max. apparent power	5,500 VA	8,800 VA	11,000 VA
Rated output voltage	220 Vac / 230 Vac , default 3W / N+PE ; 380 Vac / 400 Vac, 3W+PE		
Rated AC grid frequency	50 Hz / 60 Hz		
Max. output current	8.5 A	13.5 A	16.9 A
Adjustable power factor	0.8 leading ... 0.8 lagging		
Max. total harmonic distortion	≤ 3 %		
<b>Features &amp; Protections</b>			
Input-side disconnection device	Yes		
Anti-islanding protection	Yes		
DC reverse polarity protection	Yes		
Insulation monitoring	Yes		
DC lightning protection	Yes		
AC lightning protection	Yes		
Residual current monitoring	Yes		
AC overcurrent protection	Yes		
AC short-circuit protection	Yes		
AC overvoltage protection	Yes		
Ripple receiver control	Yes		
Arc fault protection (AFCI)	Yes		
Integrated PID recovery	Yes <sup>2</sup>		
<b>General Data</b>			
Operating temperature range	-25 ~ + 60 °C (-13 °F ~ 140 °F)		
Relative operating humidity	0 %RH ~ 100 %RH		
Operating altitude	0 - 4,000 m (13,123 ft.)		
Cooling	Natural convection		
Display	LED Indicators; Integrated WLAN + FusionSolar App		
Communication	RS485; WLAN via Smart Dongle-WLAN; 4G / 3G / 2G via Smart Dongle-4G (Optional)		
Weight (incl. mounting bracket)	17 kg (37.5 lb)		
Dimension (incl. mounting bracket)	525 * 470 * 166 mm (20.7 * 18.5 * 6.5 inch)		
Degree of protection	IP65		
<b>Standard Compliance (more available upon request)</b>			
Safety	EN/IEC 62109-1, EN/IEC 62109-2, <b>IEC62116</b>		
Grid connection standards	<b>G98, G99, IEC61727, EN 50438, CEI 0-21, VDE-AR-N-4105, VDE-AR-N-4110, AS 4777, C10/11, ABNT, UTE C15-712, RD 1699, TOR D4, NRS 097-2-1, DEWA 2.0</b>		

<sup>2</sup>: SUN2000-5~10KTL-M0 raises potential between PV- and ground to above zero through integrated PID recovery function to recover module degradation from PID. Supported module types include: P-type (mono, poly), N-type (nPERT, HIT)